

SECTION 8

Panasonic Broadcast Mechanical Parts List

MODEL: **AJ-HD1400P/E/MC**

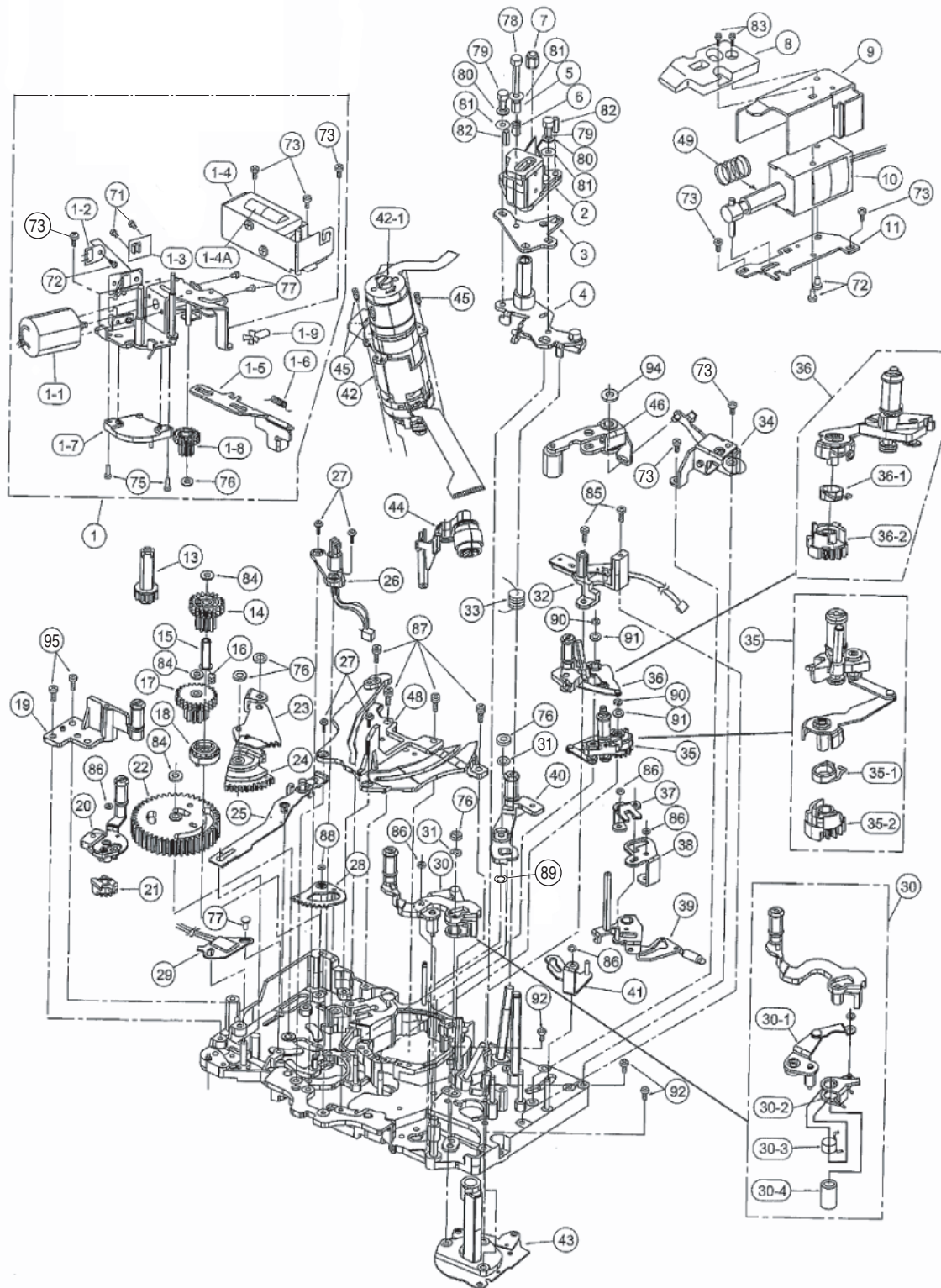
Note:

1. *Be sure to make your orders of replacement parts according to this list.
2. Unless otherwise specified, all resistors are in OHMS, K=1,000 OHMS, all capacitors are in MICROFARADS (μF), P= $\mu\mu\text{F}$.
3. The P.C. Board unit marked with "■" shown below the main assembled parts.
4. The parts marked with $\text{\textcircled{E}}$ on the exploded view show the electric parts.
5. IMPORTANT SAFETY NOTICE
Components identified with the mark Δ have the special characteristics for safety. When replacing any of these components, use only the same type.
6. The marking (RTL) indicates the retention time is limited for this item.
After the discontinuation of this assembly in production, it will no longer be available.
7. "M" in Remark column indicates needed in the periodical maintenance.

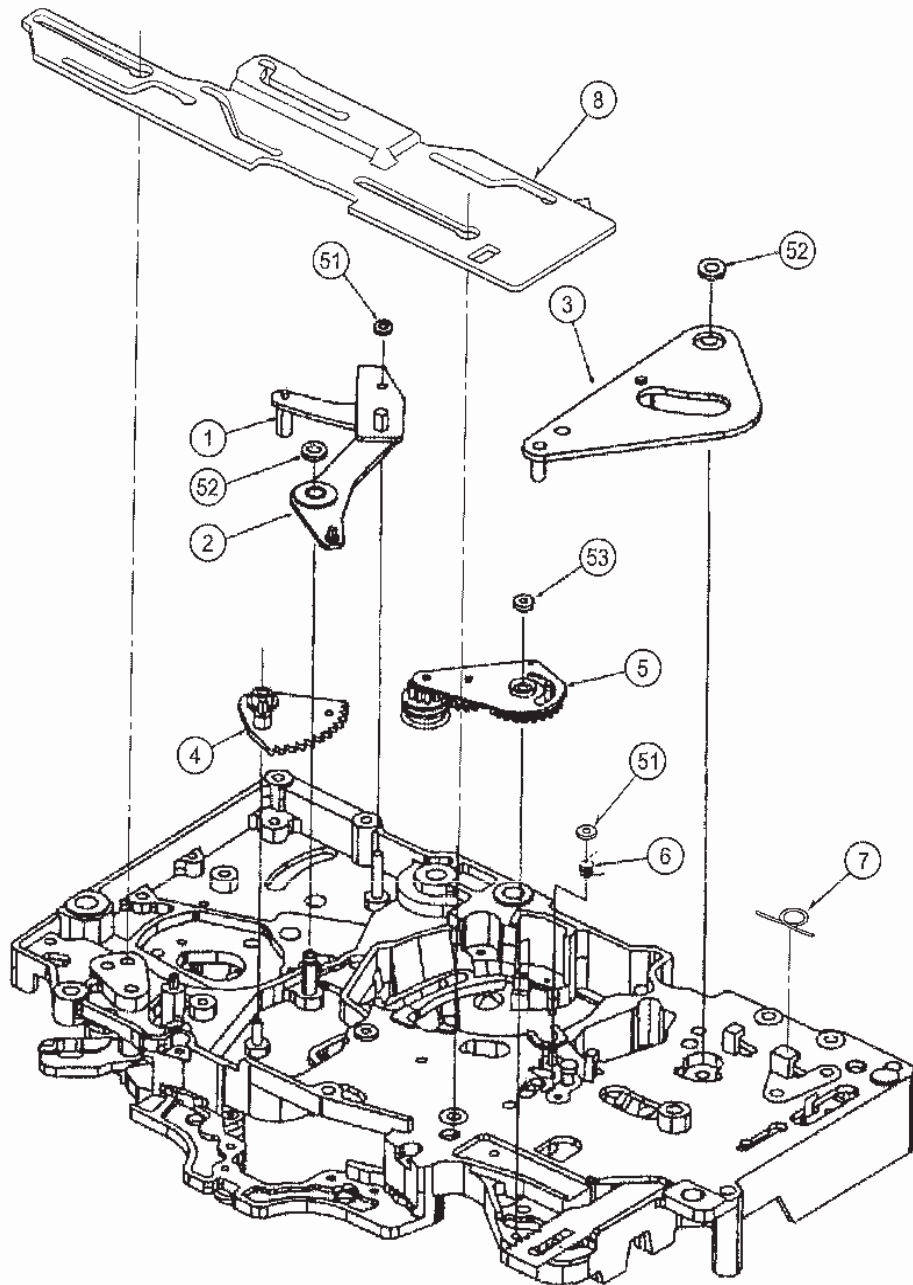
CONTENTS

MECHANICAL CHASSIS ASSEMBLY (1).....	MPL-1
MECHANICAL CHASSIS ASSEMBLY (2).....	MPL-3
SUB CHASSIS ASSEMBLY.....	MPL-5
FRONT LOADING ASSEMBLY.....	MPL-7
CASING ASSEMBLY.....	MPL-9
FRONT JACK ASSEMBLY.....	MPL-11
CHASSIS & FRAME ASSEMBLY.....	MPL-13
POWER ASSEMBLY.....	MPL-15
PACKING PARTS ASSEMBLY.....	MPL-17
ELECTRICAL REPLACEMENT PARTS LIST.....	EPL-1

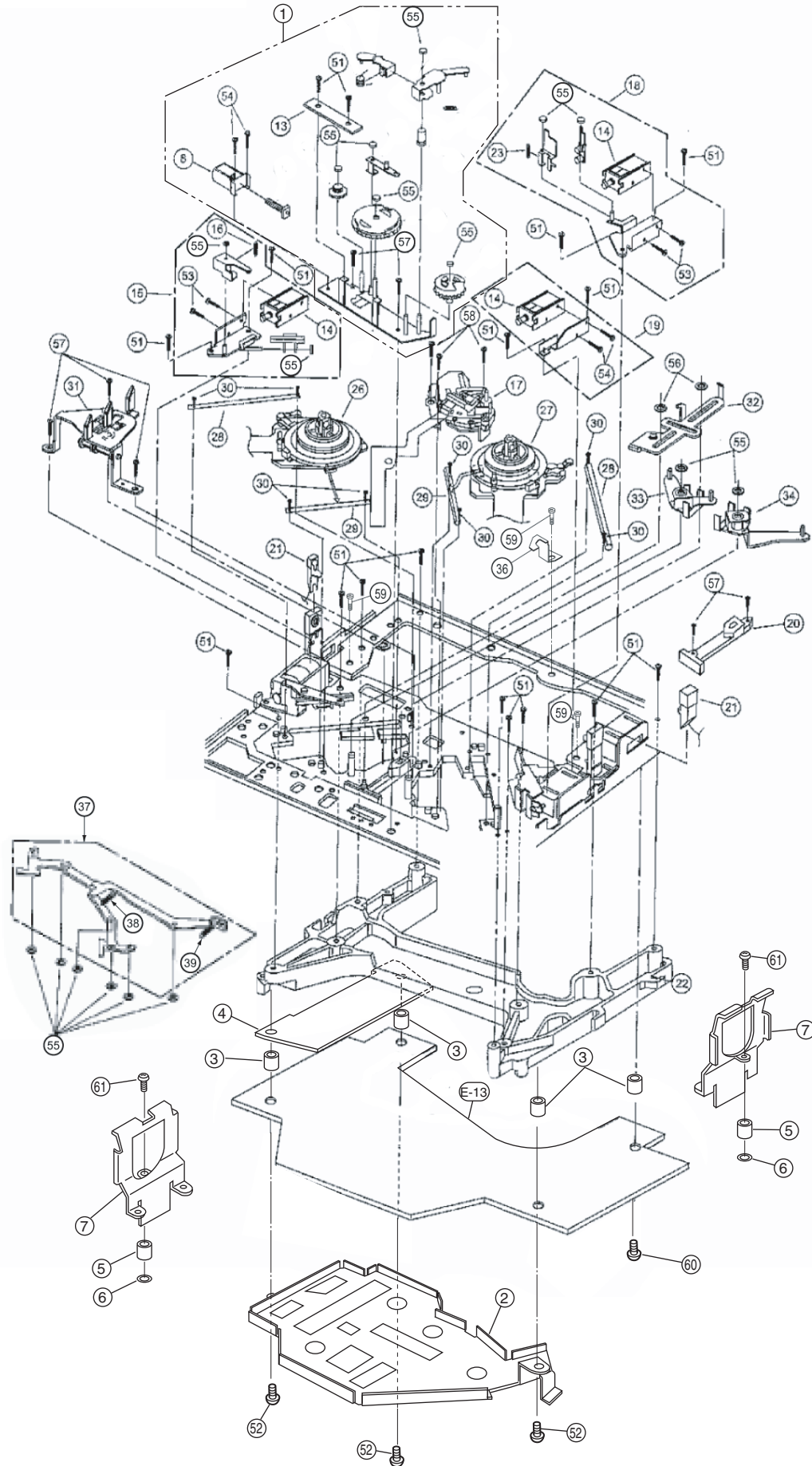
MECHANICAL CHASSIS ASSEMBLY (1)



MECHANICAL CHASSIS ASSEMBLY (2)



SUB CHASSIS ASSEMBLY

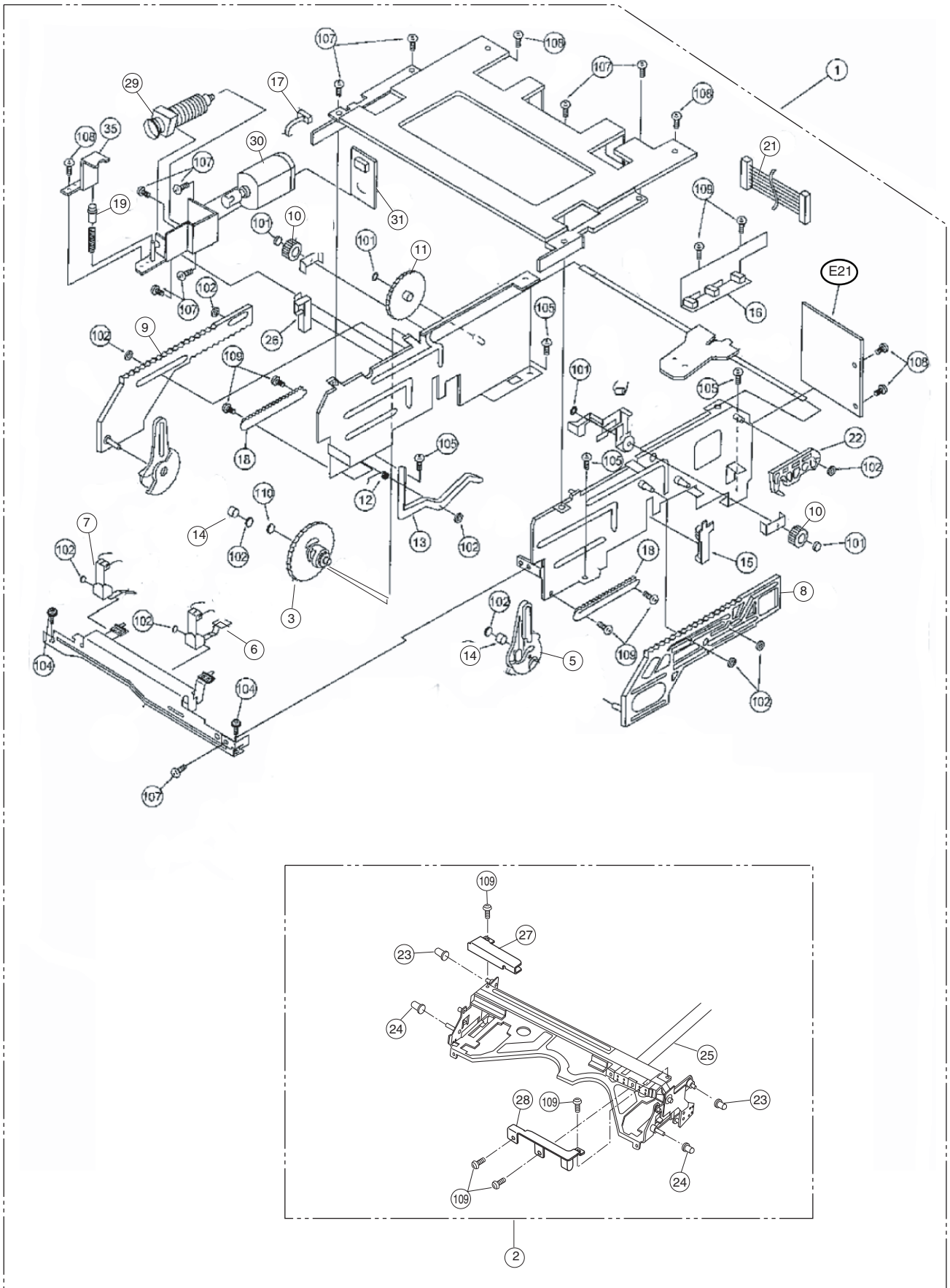


MPL-5

SUB CHASSIS ASSEMBLY

Ref.No.	Part No.	Part Name & Description	Pcs	Remarks	Ref.No.	Part No.	Part Name & Description	Pcs	Remarks
1	VXA8022C	REEL DRIVE ASS'Y	1						
2	VMP8610	MECHA IFPBU COVER	1						
3	VMX3555	SPACER	4						
4	VMZ3632	MECHA IFPBU SHEET	1						
5	VMX3578	SPACER	2						
6	VMX1558	NYLON WASHER	2						
7	VMP8609	MECHA U HOLD PLATE	2						
8	VEM0827C	REEL DRIVE MOTOR ASS'Y	1 (M)						
13	VEK0H95C	REEL SENSOR P. C. BOARD	1						
14	L9AABYYB0001	SOLENOID	3 (M)						
15	VXA8023C	S BRAKE SOLENOID BASE U	1	OR VXA5575C					
16	VMB2957	S BRAKE SPRING	1						
17	VXA8215C	DISTINCTION SW ASS'Y	1 (M)						
18	VXA6651	T BRAKE SOLENOID ASS'Y	1						
19	VXA8024C	M STOPPER SOLENOID ASS'Y	1	OR VXA5579C					
20	VMD3908	SLIDE ROD STOPPER	1						
21	VEK7692	SENSOR HOLDER ASS'Y	2						
22	VMA0L40	SUB CHASSIS SUPPORT PLATE	1						
23	VMB2987	T BRAKE SPRING	1						
24	VMB2955	M STOPPER SPRING (1)	1						
25	VMB3439	RELEASE SPRING	1						
26	VEM0847	S REEL MOTOR	1 (M)						
27	VEM0848	T REEL MOTOR	1 (M)						
28	VMS5923	REEL OUTER RAIL	2						
29	VMS5924	REEL INNER RAIL	2						
30	VHD1787	SCREW	8						
31	VXA6650C	BRAKE RELEASE ASS'Y	1						
32	VXA6652	SLIDE ROD	1						
33	VXL2980	S BASE DRIVE ARM	1						
34	VXL2981	T BASE DRIVE ARM	1						
36	VMC1652	T1 BOAT GUIDE	1						
37	VXL2982	M STOPPER DRIVE ARM ASS'Y	1						
38	VMB2955	M STOPPER SPRING (1)	1						
39	VMB3439	RELEASE SPRING	1						
51	XQN2+CF4FJ	SCREW	17						
52	XYN26+F8FJ	SCREW	3						
53	XQN2+A15FJ	SCREW	4						
54	XQN2+A2FJ	SCREW	4						
55	VMX0967	CUT WASHER	17						
56	VMX1079	CUT WASHER	2						
57	XQN2+CF3FJ	SCREW	7						
58	XQN2+AF3FJ	SCREW	3						
59	XYN26+C5FJ	SCREW	3						
60	XYN26+F5FJ	SCREW	1						
61	XYN3+F8FJ	SCREW	2						
E13	VEP82262A	MECHA IF P. C. BOARD	1						

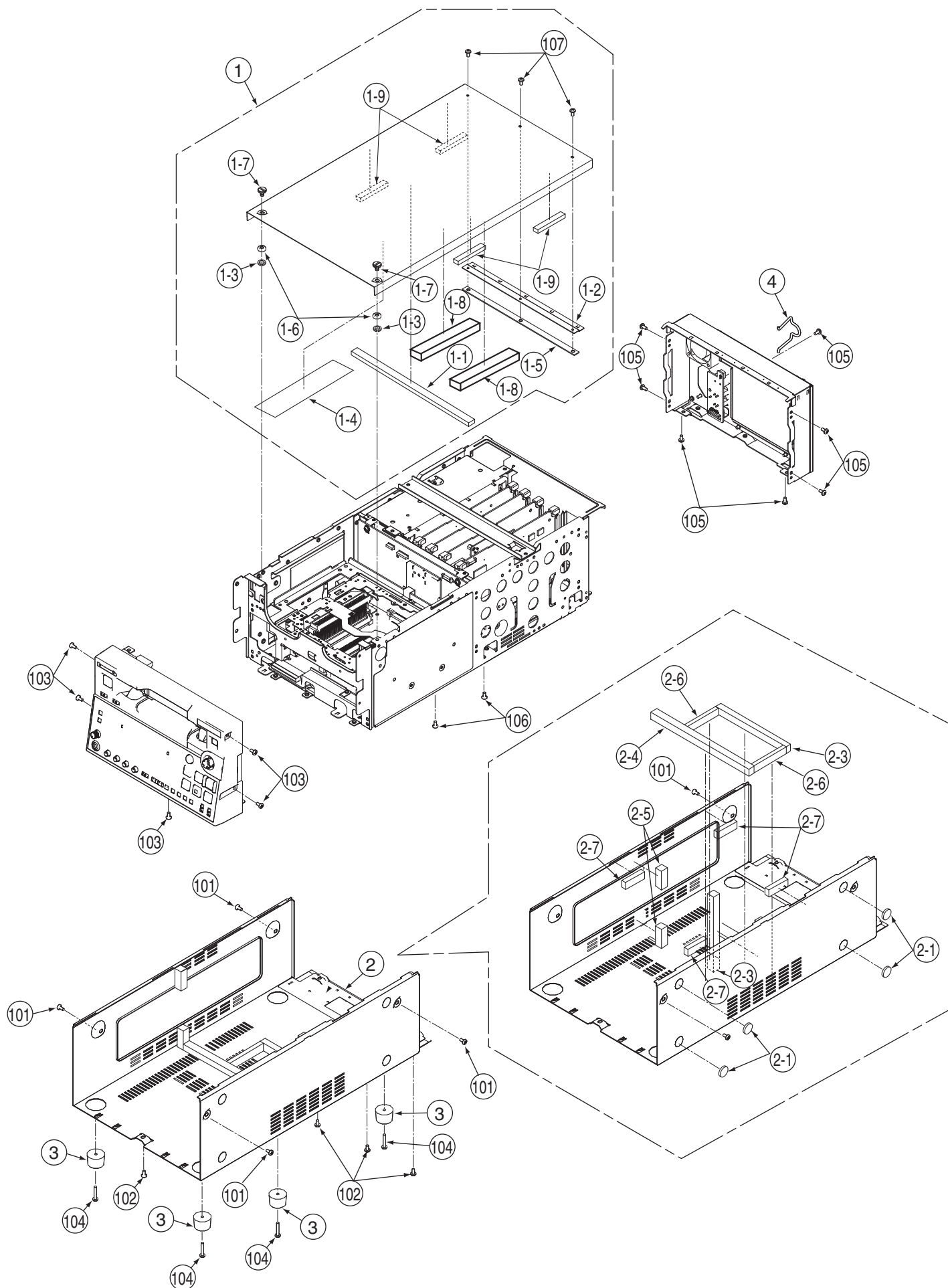
FRONT LOADING ASSEMBLY



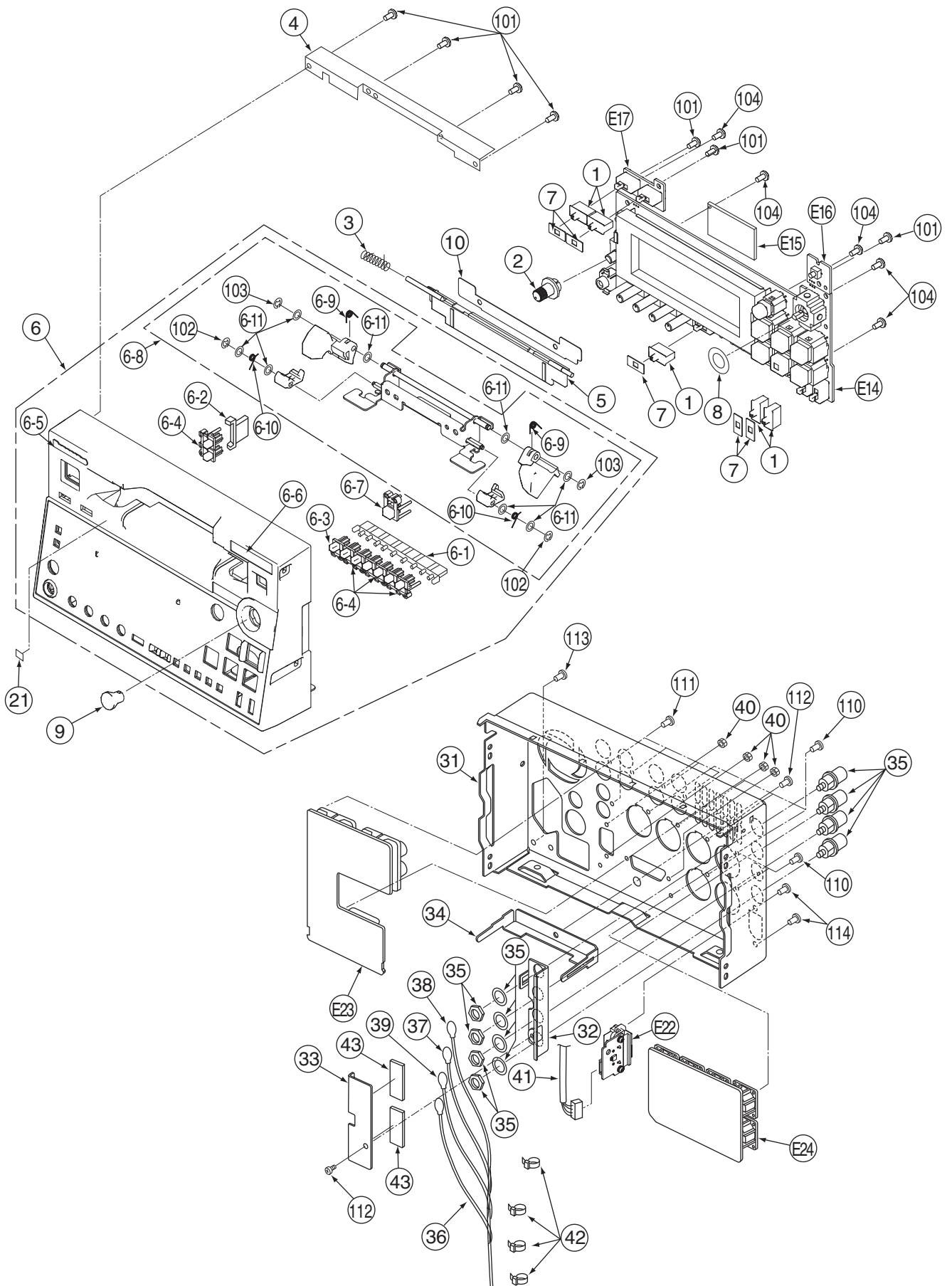
FRONT LOADING ASSEMBLY

Ref.No.	Part No.	Part Name & Description	Pcs	Remarks	Ref.No.	Part No.	Part Name & Description	Pcs	Remarks
1	VXA8218	FRONT LOADING ASS'Y	1	(M)					
2	VXA8219	CASSETTE HOLDER ASS'Y	1						
3	-----	WORM WHEEL ASS'Y	4	SUPPLIED BY VUM955FLKIT					
4	-----	WIPER ARM (L) ASS'Y	1	SUPPLIED BY VUM955FLKIT					
5	-----	WIPER ARM (R) ASS'Y	2	SUPPLIED BY VUM955FLKIT					
6	VXL3313	M GUIDE RIGHT LEVER	1						
7	VXL3314	M GUIDE LEFT LEVER	2						
8	-----	MAIN RACK (R) ASS'Y	4	SUPPLIED BY VUM955FLKIT					
9	-----	MAIN RACK (L) ASS'Y	1	SUPPLIED BY VUM955FLKIT					
10	-----	INTERLOCK GEAR	1	SUPPLIED BY VUM955FLKIT					
11	-----	INTERMEDIATE GEAR	1	SUPPLIED BY VUM955FLKIT					
12	VMB2926	SPRING	1						
13	VML2A50	BLINDER PANEL OPENER	1						
14	-----	WIPER ROLLER	2	SUPPLIED BY VUM955FLKIT					
15	VML3282	SUB RAIL (R)	1						
16	VEK7695	SIDE FLEXIBLE	1						
17	VEE9577	CABLE	1						
18	VDG1156	WIPER RACK	2						
19	VDG1246	EMERGENCY GEAR	1						
20	VMB3109	EMERGENCY SPRING	1						
21	VEE9632	MOTOR CABLE	1						
22	VML3193	OPENER DRIVE ARM	1						
23	VDP1642	CASSETTE GUIDE ROLLER (2)	2						
24	VDP1641	CASSETTE GUIDE ROLLER (1)	2						
25	VEK7715	HOLDER FLEXIBLE ASS'Y	1						
26	VML3281	SUB RAIL (L)	1						
27	VMAOU31	PLATE HOLDER L	1						
28	VMAOU32	PLATE HOLDER R	1						
29	VXP1797	E. E SLOT IN WORM ASS'Y	1						
30	VXA5597	MOTOR ASS'Y	1	(M)					
31	VEK7793	MOTOR P. C. BOARD	1						
101	VMX0653	CUT WASHER	4						
102	VMX0967	CUT WASHER	14						
103	VMX1061	WASHER	4						
104	XQN16+A2FJ	SCREW	9						
105	XQN2+CF3FJ	SCREW	4						
107	VHD1323	SCREW	10						
108	XQN2+A3FJ	SCREW	5						
109	LMHD16064	SCREW	11						
110	XUC25FP	E-RING	1						
111	XWGV2Z5G	WASHER	2						
E21	VEP80856C	CARRIAGE P. C. BOARD	1						

CASING ASSEMBLY



FRONT JACK ASSEMBLY

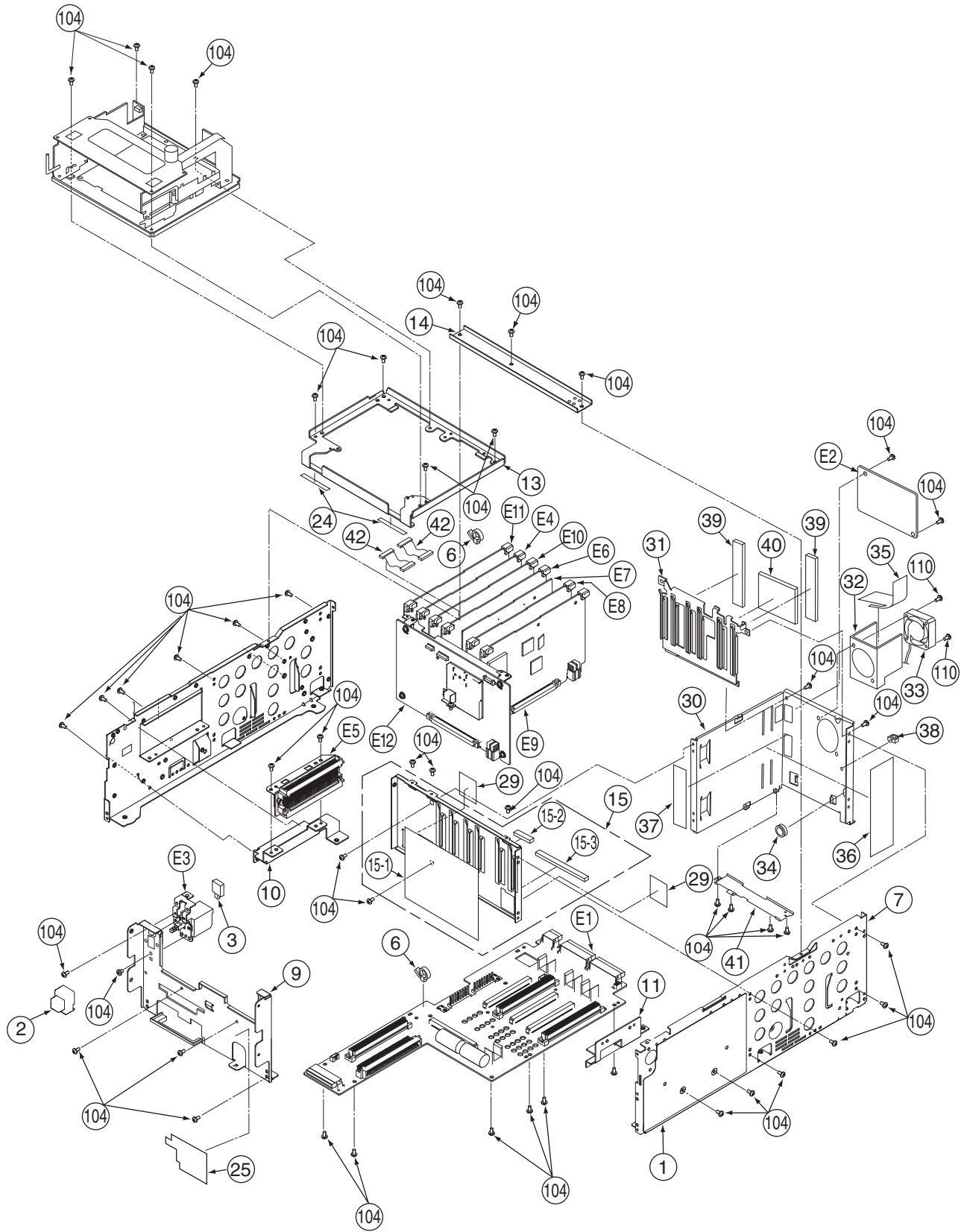


FRONT JACK ASSEMBLY

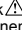
Ref.No.	Part No.	Part Name & Description	Pcs	Remarks	Ref.No.	Part No.	Part Name & Description	Pcs	Remarks
1	VGU5582	SWITCH KNOB	5						
2	VGU5605	KNOB	1						
3	VMB2923	BLINDER SPRING	1						
4	VMP8227	TOP PLATE SUPPORT ANGLE	1						
5	VGf0836	PANEL SHEET	1						
6	VYP9176	FRONT PANEL (1) ASS'Y	1						
6-1	VGU9679	KNOB HOLDER	1						
6-2	VGU9680	KNOB HOLDER B	1						
6-3	VGU9682	OPERATION BUTTON A	1						
6-4	VGU9683	OPERATION BUTTON B	4						
6-5	RGB0116-S	PANASONIC BADGE	1						
6-6	VGB0556	DVCHD BADGE	1						
6-7	VGU8377	EJECT KNOB	1						
6-8	VYQ2807	CASSETTE GUIDE ASS'Y	1						
6-9	VMB3564	CASSETTE GUIDE SPRING	2						
6-10	VMB3565	CAM SPRING	2						
6-11	VMX2562	WASHER	8						
7	VGf1008	SLIDE SW SHEET	5						
8	VGf1017	JOG KNOB SHEET	1						
9	VGU9681	JOG KNOB	1						
10	VKF3191	BLINDER PANEL	1	FOR AJ-HD1400P/E					
10	VKF3434	BLINDER PANEL	1	FOR AJ-HD1400MC					
21	VQLOU92	EX LABEL	1						
31	VJH1257	JACK PLATE	1						
32	VMP8608	BNC BASE PLATE	1						
33	VMP8607	BNC HOLD PLATE	1						
34	VMP8611	BNCBP GUIDE PLATE	1						
35	K1SYYYYA0002	BNC CONNECTOR	4						
36	K1TZB9A00031	COAXIAL CABLE	1						
37	K1TZB9A00038	COAXIAL CABLE	1						
38	K1TZB9A00044	COAXIAL CABLE	1						
39	K1TZB9A00056	COAXIAL CABLE	1						
40	VXQ0102	SCREW	4	K1YE50000008					
41	VEE1B42-1	1394CABLE	1						
42	VJF1158	CLAMPER	4						
43	VMX3406	RUBBER	2						
101	XTV3+6GFJ	SCREW	7						
102	XUC2FP	E-RING	2						
103	XUC25FP	E-RING	2						
104	XYN3+J6FJ	SCREW	5						
110	XSN26+6FJK	SCREW	6						
111	XTN3+10JFJK	SCREW	5						
112	XTV3+6FFJK	SCREW	2						
113	XYE4+EF8FJ	SCREW	1						
114	XSB2+6FJK	SCREW	2						
E14	VEP86350A	FRONT P. C. BOARD	1						
E15	VEP86351A	FRONT SUB P. C. BOARD	1						
E16	VEP86352A	FRONT EJECT P. C. BOARD	1						
E17	VEP86353A	FRONT SW P. C. BOARD	1						
E22	VEP80D12E	1394 CN P. C. BOARD	1						
E23	VEP83665A	V JACK P. C. BOARD	1						
E24	VEP84402A	A JACK P. C. BOARD	1						

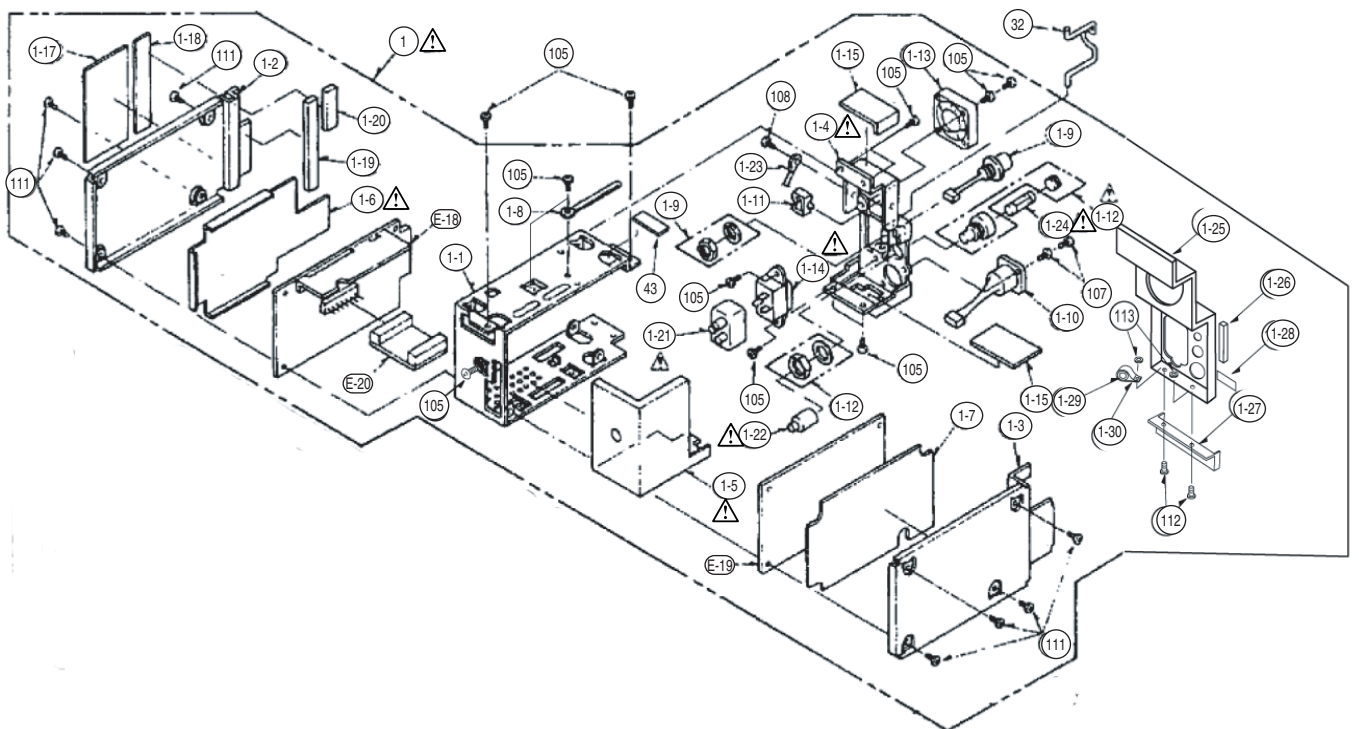
CHASSIS & FRAME ASSEMBLY

Components identified with the mark \triangle have the special characteristics for safety. When replacing any of these components, use only the same type.



POWER ASSEMBLY

Components identified with the mark  have the special characteristics for safety. When replacing any of these components, use only the same type.




POWER ASSEMBLY

Components identified with the mark Δ have the special characteristics for safety.
 When replacing any of these components, use only the same type.

Ref.No.	Part No.	Part Name & Description	Pcs	Remarks	Ref.No.	Part No.	Part Name & Description	Pcs	Remarks
Δ 1	VEK0K39	POWER ASS'Y	1						
1-1	VSC4997	POWER CASE (B)	1						
1-2	VSC4858	POWER CASE (D)	1						
1-3	VSC4996	POWER CASE (C)	1						
Δ 1-4	VSC5877	POWER CASE (A)	1						
Δ 1-5	VMZ2879	SHIELD SHEET (B)	1						
Δ 1-6	VMZ2878	SHIELD SHEET (A)	1						
1-7	VMZ2880	SHIELD SHEET (C)	1						
1-8	VJF0469	CLAMPER	1						
1-9	VEEOE65	DC OUT CABLE	1						
1-10	K1AA104H0037	CONNECTOR (MALE)	1						
1-11	VJF0285	WIRE LOCKING SADDLE	1						
Δ 1-12	K3GA1BJ00014	FUSE HOLDER	1						
1-13	L6FAHBB0002	FAN MOTOR	1						
Δ 1-14	VJP0083	AC INLET	1						
1-15	VGFO797	DUST PROOF SHEET (A)	1						
1-16	VGFO799	DUST PROOF SHEET (B)	1						
1-17	VGFO800	DUST PROOF SHEET (C)	1						
1-18	VGFO800	DUST PROOF SHEET (D)	1						
1-19	VMT1015	DUST PROOF CUSHION (B)	1						
1-20	VMT1014	DUST PROOF CUSHION (A)	1						
Δ 1-21	VMZ1252	AC INLET COVER	1						
Δ 1-22	VMZ2139	FUSE HOLDER COVER	1						
1-23	VEE1A73	AC GND	1						
Δ 1-24	VSF0106C25H	FUSE	1						
1-25	VMP6063	POWER ANGLE	1						
1-26	VMT0825	GASKET	1						
1-27	VMP6178	POWER SUPPLY COVER	1						
1-28	VGFO808	ANGLE COVER	1						
1-29	VLP0408	CORE	1						
1-30	VMD3785	CLAMPER	1						
105	XTV3+8FFJ	SCREW	8						
106	XSN3+16FJK	SCREW	2						
107	XSN26+6FC	SCREW	2						
108	XYN4+E6VW	SCREW	1						
111	XYN3+8FJ	SCREW	8						
112	XYN3+J8FJ	SCREW	2						
113	XNG3BS	NUT	2						
E18	VEP81203G	POWER 1 P. C. BOARD	1						
E19	VEP81219C	POWER 2 P. C. BOARD	1						
E20	VEP80A88B	POWER CONNECT P. C. BOARD	1						

PACKING PARTS ASSEMBLY

Components identified with the mark  have the special characteristics for safety. When replacing any of these components, use only the same type.

